

PRODUCT DESCRIPTION

Tooshlights® are for use in any public restroom from 1 stall to 1,000.

Tooshlights® raises venue profile and improves your guest’s experience by reducing wait time and guiding patrons to the next available restroom stall.

Each Tooshlights® unit consists of a smart latch and indicator light. It’s a simple installation and an easy upgrade in most restrooms.

The smart latch communicates wirelessly with the indicator light. When the stall is available, the light is green. When the stall is occupied and the smart latch activated, the light turns red.



PRODUCT OPTIONS

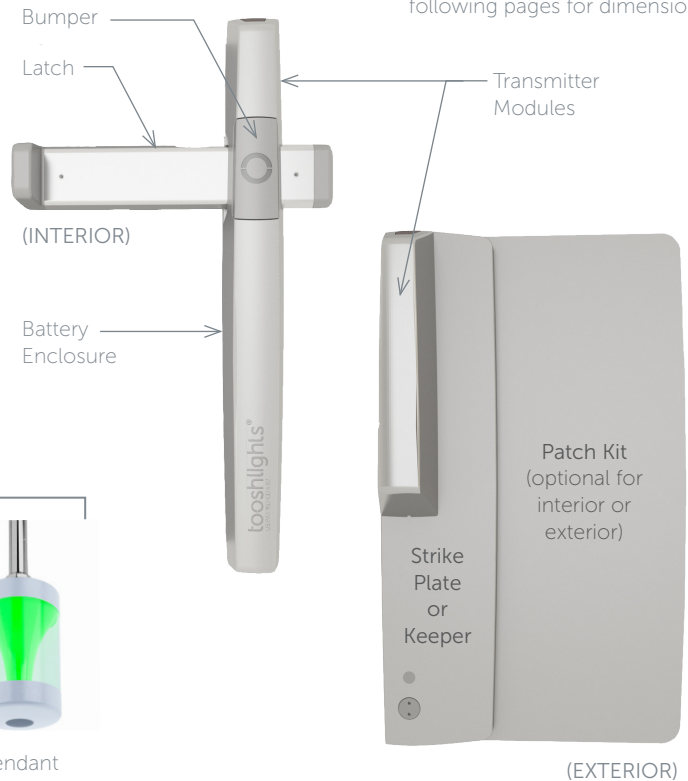
TOOSHLIGHTS® INDICATOR LIGHT

(Images are not to scale, see following pages for dimensions)



TOOSHLIGHTS® SMART LATCH

(Images are not to scale, see following pages for dimensions)



LENS OPTIONS

MOUNTING OPTIONS



PHYSICAL ATTRIBUTES

TOOSHLIGHTS® INDICATOR LIGHT

Body Materials: Satin Finish, ABS Plastic
Body Color: White
Lens Finishes: Clear or Frosted Acrylic

Light Source: Full color, RGB LEDs

Power Source: Power Over Ethernet (POE), Low Voltage DC. Use CAT 5 or CAT 6, shielded cable.

Protection: Military-grade, hydrophobic coating on all electronic components. Suitable for indoor use. Wet locations not recommended.

Tamper Resistance: All fasteners are stainless steel and fully tamper resistant.

TOOSHLIGHTS® SMART LATCH

Body Materials: Die Cast, ZAMAK 3
Body Color: Matte Chrome
Patch Kit: 24 Ga. Stainless Steel (self-adhering)

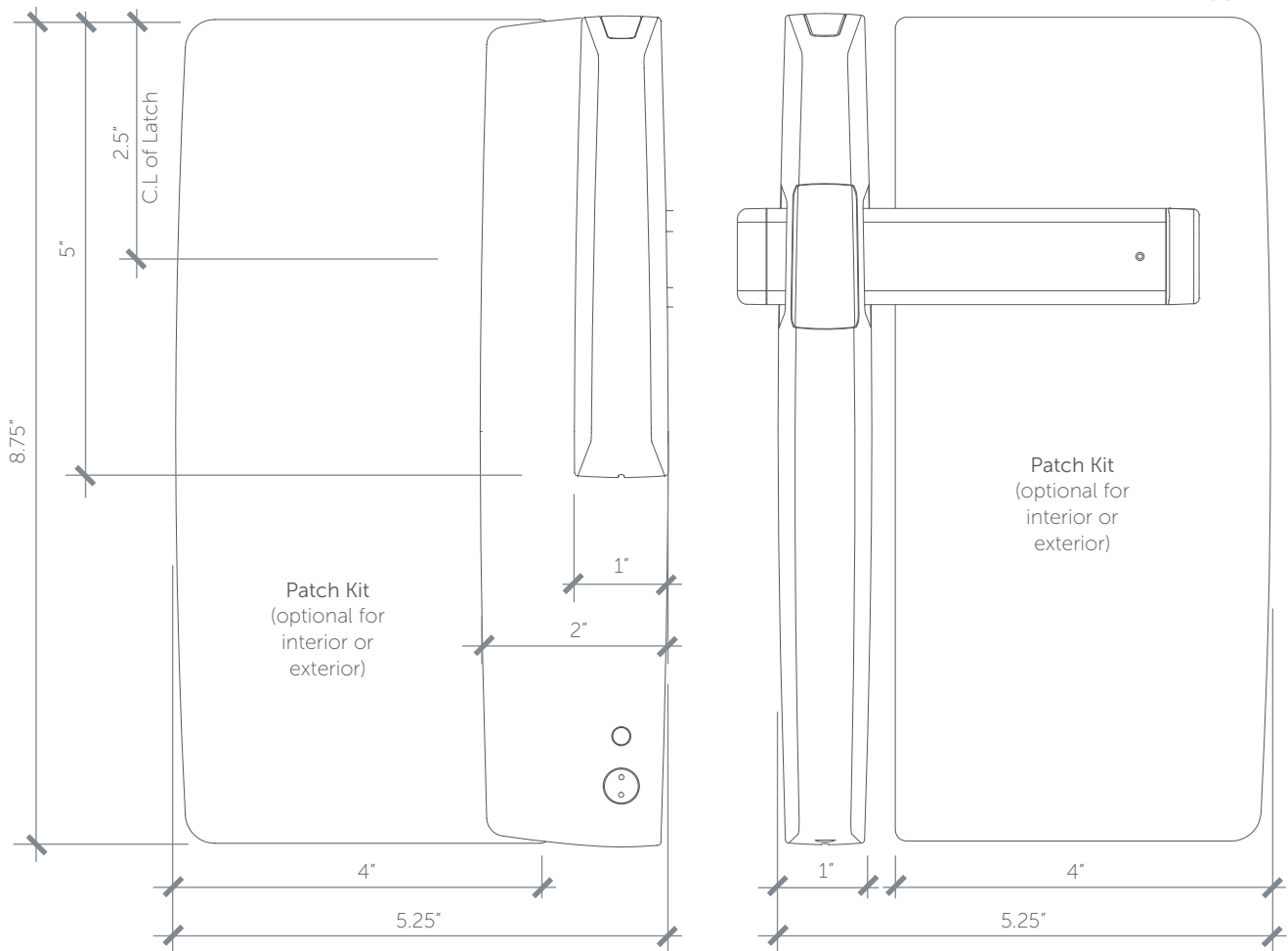
Power Source: Two (2) Standard AA Batteries. (Battery life is approx. 18 months with average usage.)

Protection: Military-grade, hydrophobic coating on all electronic components. Suitable for indoor use. Wet locations not recommended.

Tamper Resistance: All fasteners are stainless steel and fully tamper resistant.

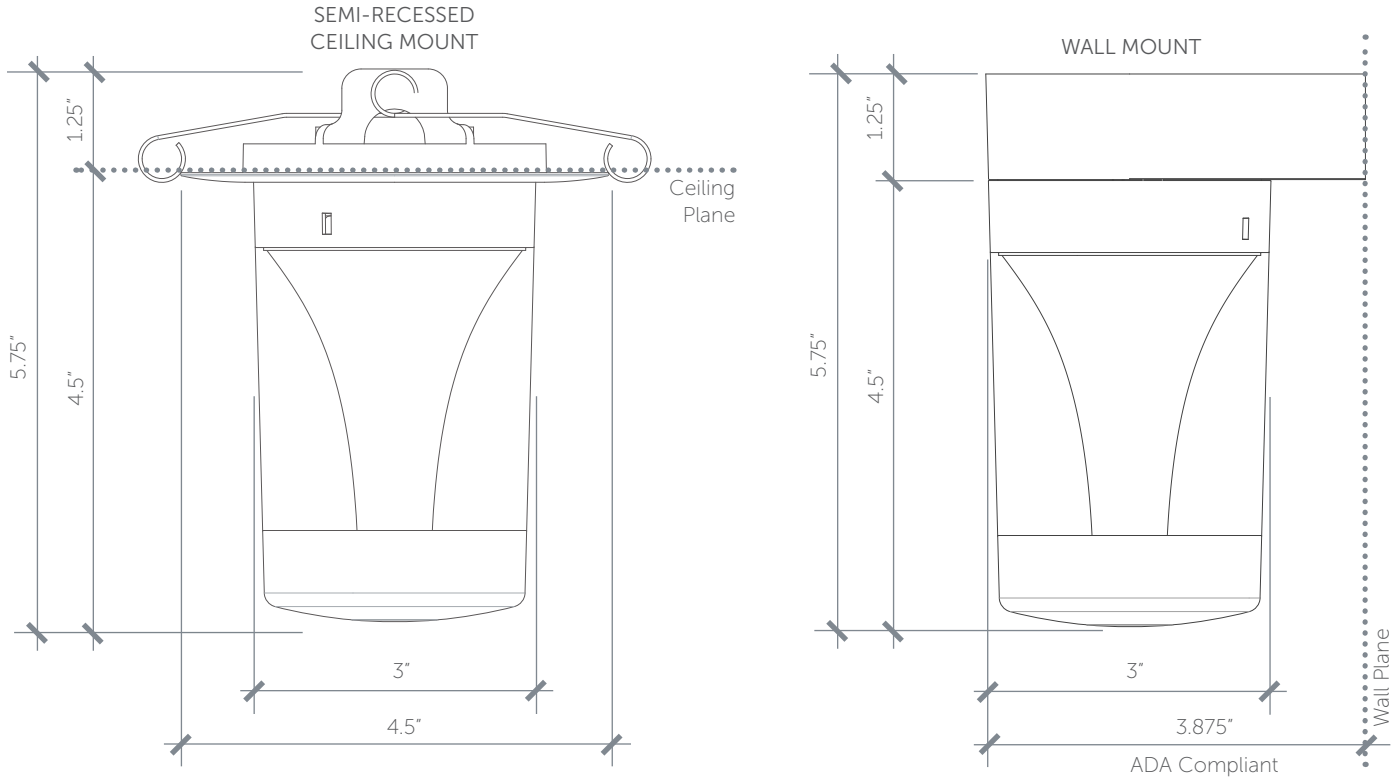
PRODUCT DIMENSIONS: SMART LATCH

SCALE: 1:2



PRODUCT DIMENSIONS: INDICATOR LIGHT

SCALE: 1:2



SUSTAINABILITY, CERTIFICATIONS AND APPROVALS



Tooshlights[®] is a US patented product.

LIMITED WARRANTY

Modus Systems, Inc. provides a 5-year limited parts and 1-year limited labor warranty on products and components. Visit www.tooshlights.com for more detailed warranty information.

CONTACT INFORMATION

Modus Systems, Inc.
19301 Ventura Blvd. #207
Tarzana, CA 91356

+1.855.866.7458
www.tooshlights.com
sales@tooshlights.com



© © 2017, Modus Systems, Inc.. Issued 2017-05, subject to change. Disclaimer: This information only a general guide and is not intended to be exhaustive. It is for use by qualified design and construction professionals only. Further information is available upon request.